



# Area Lighting

## Fixture



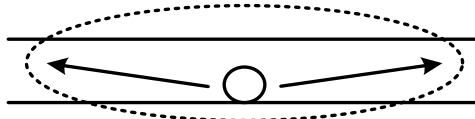
Contact Customer Service

	<b>J</b>
<b>Type:</b>	Yard
<b>CU</b>	___ WYLS
<b>Color</b>	Natural aluminum
<b>Watts (see note 1)</b>	100 W
<b>Lighting Pattern (see note 3)</b>	5
<b>Mo. Rental Single</b>	\$8.15
<b>Mo. Rental Double</b>	
<b>Use with Pole:</b>	6

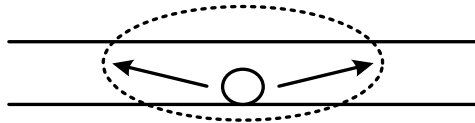
### Notes:

1. Lumen ratings: 100 Watts = 9,500 Lumens, 250 Watts = 27,500 Lumens, and 400 Watts = 50,000 Lumens.
2. The pole costs includes the secondary cable and conduit from the power source to the fixture on the top of the pole. If primary line extensions are required, there will be additional charges.
3. Lighting Pattern:

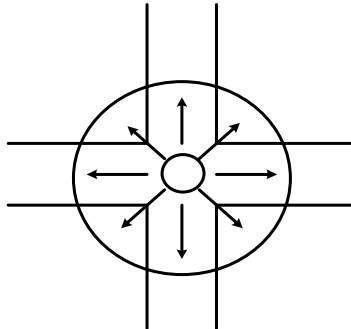
TYPE 2



TYPE 3



TYPE 5





# Area Lighting

## Fixtures



Contact Engineering Department

	A	B	C	D	E	F	G	H
Type:	Savannah	King	Shoebox	Colonial	Acorn	Teardrop	Cobra Head	Ultraflood
CU	PT100S	PT100K	___WSTLTORNSB (Black)	PT100C	PT100A	250WSTLTORNK	___WSTLTS	___WULS
Color	Black	Green	Black only	Black	Black	Black	Light Grey	Bronze
Watts (see note 1)	100 W	100 W	250 W, 400 W	100 W	100 W	250 W	100W, 250W, & 400W	250 W, 400 W
Lighting Pattern (see note 3)	5	5	2	5	5	3	3	Directional
Mo. Rental Single	\$8.15	\$8.15	\$13.50 (250W) \$18.00 (400W)	\$8.15	\$8.15	\$13.50	\$8.15 (100W) \$13.50 (250W) \$18.00 (400W)	\$13.50 (250W) \$18.00 (400W)
Mo. Rental Double	\$16.30	\$16.30	\$27.00 (250W) \$36.00 (400W)	\$16.30	\$16.30	\$27.00	\$16.30 (100W) \$27.00 (250W) \$36.00 (400W)	\$27.00 (250W) \$36.00 (400W)
Use with Pole:	1	2	4	3 & 4	3 & 4	4	4, 5, & 6	4, 5, & 6

## Poles

(See note 3)

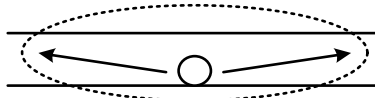


	1	2	3	4	5	6
Type:	Savannah	King	Fluted Concrete	Smooth Concrete	Square Concrete	Wood
CU	12ALS	17KL	15FCL	15'CL ___CLTR	30-CL 30-CLTS(Tenon top for A,C,D, & E)	___-Class
Material	Aluminum	Aluminum	Concrete	Concrete	Concrete	Wood
Color	Black	Green	Black	Black	Natural	Green tint
Mounted Height	12'	15'	12'	12', 15', 20', 25', 29'	20', 25', 29', 30'	25', 29', 34'
Mo. Rental	\$30.00	\$30.00	\$5.50	\$5.50	\$5.50	\$2.00

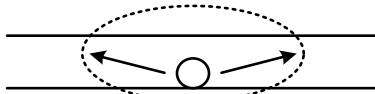
### Notes:

- Lumen ratings: 100 Watts = 9,500 Lumens, 250 Watts = 27,500 Lumens, and 400 Watts = 50,000 Lumens.
- The pole costs includes the secondary cable and conduit from the power source to the fixture on the top of the pole. If primary line extensions are required, there will be additional charges.
- Lighting Pattern:

#### TYPE 2



#### TYPE 3



#### TYPE 5

